



Vacuum Tanker

Vacuum Pump

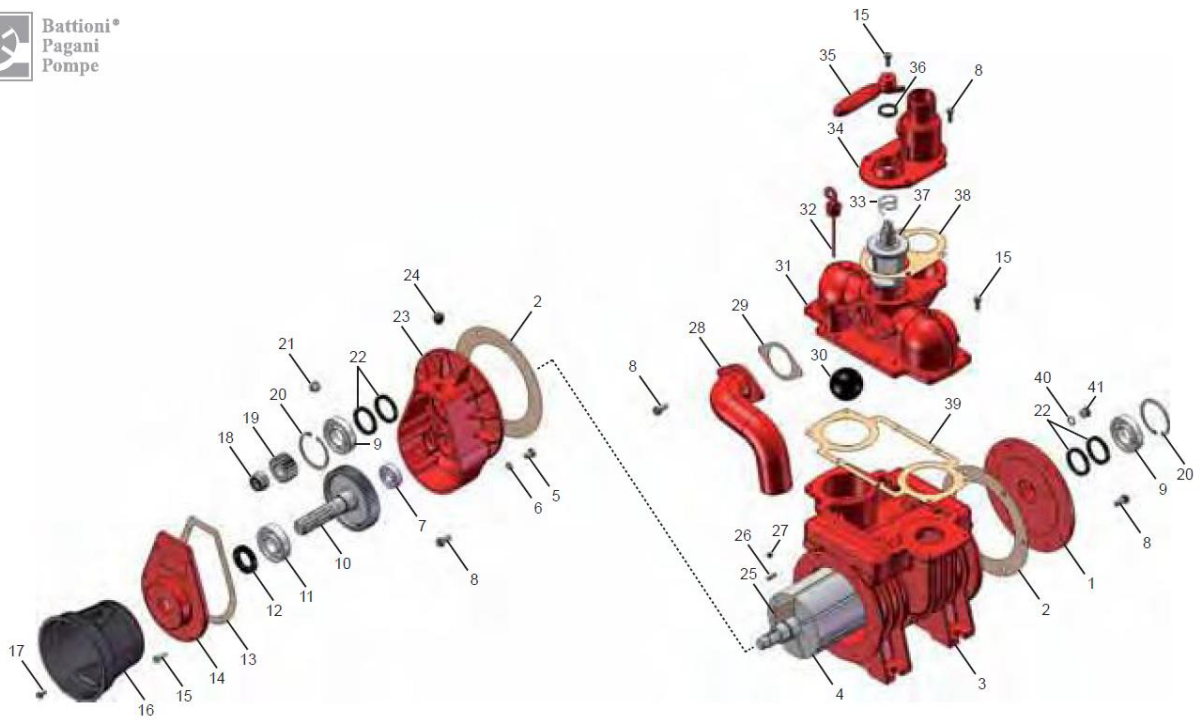


Parts List

Spare Parts



Spare Parts to suit MEC 8000 M Series Pumps

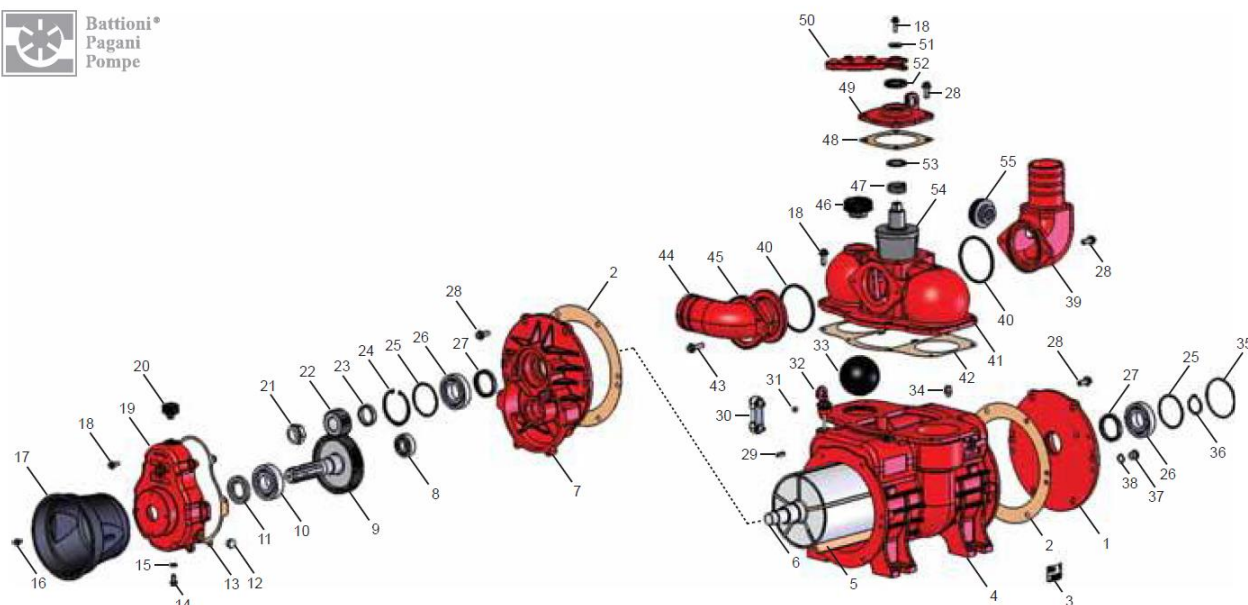


No.	Description	Qty	No.	Description	Qty
1	Back cover	1	22	Seal 48x62x8	4
2	Gasket	2	23	Housing	1
3	MEC 8000 Body	1	24	Stud 3/8"	1
4	MEC 8000 Rotor	1	25	Vane 450x46.5x6.3	7
5	Bolt M10x16	1	26	Key 6x6x25	1
6	Washer M10	1	27	Threaded dowl	1
7	Bearing	1	28	Exhaust	1
8	Bolt M10x25	1	29	Exhaust gasket	1
9	Bearing	1	30	Ball 40mm	1
10	Gear 53 teeth	1	31	Housing	1
11	Bearing	1	32	Dipstick - New 136mm	1
12	Seal 35x62x10	20		Dipstick - Old 79mm	1
13	Cover gasket	2	33	Spring	1
14	Cover	1	34	Top housing	1
15	Bolt M8x25	1	35	Handle	1
16	Black cone bolt-on	1	36	Seal	1
	Orange cone push-on		37	Valve	1
17	Bolt M6x16	4	38	Gasket	1
18	Lock nut M27x2	1	39	Body gasket	1
19	Gear 23 teeth	1	40	Aluminium washer	1
20	Internal circlip Ø80	2	41	Iron plug	1
21	Plug 3/8"	1			

Spare Parts



Spare Parts to suit New MEC 9000& 11000 M Series Pumps



No.	Description	Qty	No.	Description	Qty
1	Back cover	1	29	Key 6x6x25	1
2	Gasket	2	30	Complete oil level ind.	1
3	Thermo label	1		Glass only	1
4	9000 Pump body	1	31	Plug Ø1/8"	1
	11000 Pump body		32	Dipstick	1
5	Vane 300x60x6.5	5	33	Rubber ball Ø90	1
	Vane 370x60x6.5		34	M10 Plug / vent	1
6	9000 Rotor	1	35	O' Ring	1
	11000 Rotor		36	Ring Ø40 - Din 471	1
7	Housing	1	37	Plug M16x1.5 Din908	1
8	Ball bearing	1	38	Washer Ø16x20x1.5	1
9	53T gear for 540rpm	1	39	Suction elbow Ø76	1
	43T gear for 1000rpm			Suction elbow Ø80	
10	Ball bearing	1		Suction elbow Ø100	
11	Oil seal 35x62x10	1	40	O' Ring	2
12	Oil level plug Ø3/8"	1	41	Top housing	1
13	Cover gasket	1	42	Top housing gasket	1
14	Screw M10x16 TE	1	43	Screw M10x35 TEF	4
15	Washer Ø10x16x1.5	1	44	Rotating elbow Ø76	1
16	Screw M6x10 TEF	4		Rotating elbow Ø80	
17	Guard cone	1		Rotating elbow Ø100	
18	Screw M10x25 TEF	17	45	Elbow fl ange Ø76 / Ø80	1
19	Gearbox cover	1		Elbow fl ange Ø100	
20	Oil plug Ø3/8"	1	46	Cap Ø2"	1
21	Lock nut M27x2x16	1	47	Spring	1
22	23T gear for 540rpm	1	48	Manifold cover gasket	1
	33T gear for 1000rpm		49	Manifold cover	1
23	Rotor spacer	1	50	Handle	1
24	Ring Ø80	1	51	Washer 8x23x4 Din6340	1
25	Washer Ø80	2	52	Oil seal 35x50x7	1
26	Ball bearing	2	53	Washer	1
27	Oil seal 48x62x10	2	54	Reversing valve	1
28	Screw M10x25 TE	19	55	Plug Ø1 1/2"	1

Spare Parts

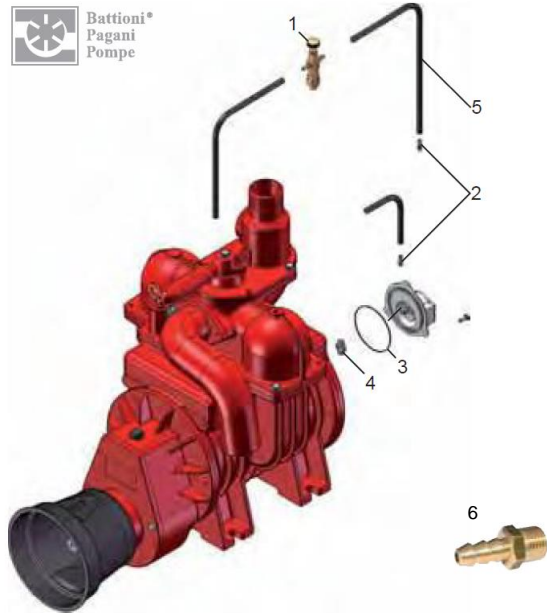


Force Feed Oil Pump

To suit MEC/M Series



Battioni®
Pagani
Pompe



Description
Force feed oil pump (Includes all parts shown)

Replacement Parts		
No.	Description	Qty
1	Double oil dropper	1
2	Hose connection	1
3	O' Ring	1
4	Key	1
5	Oil hose	3
Oil Hose Connection for NEW MEC Pumps To suit: MEC 9000 & MEC 11000 Threads into pump body		
6	Oil Hose Connection M10 x 1	