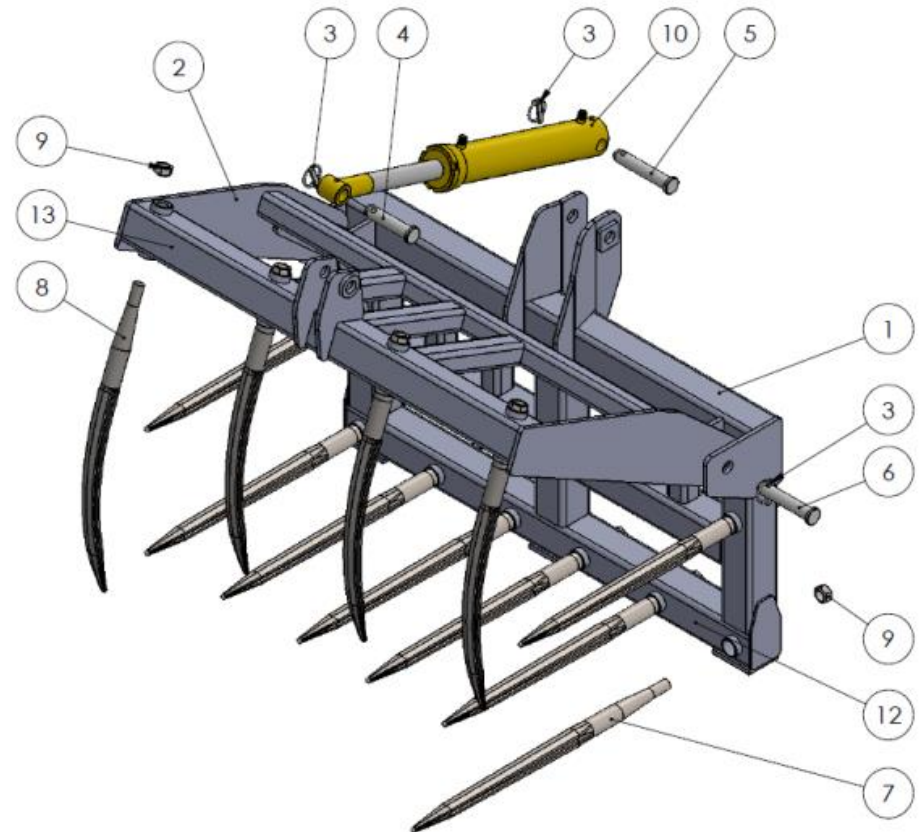




Standard Series Tine Grab Parts List

	Part No	Description	Qty
Model	RTG 38		
1	RTG3801	Body	1
2	RTG3802	Head	1
3	RTG3803	Clip	4
4	RTG3804	Pin	1
5	RTG3805	Pin	1
6	RTG3806	Main Pin	2
7	RTG3807	Tine	8
8	RTG3809	Curved Tine	4
9	RTG3809	Tine Nut	12
10	RTG3801	Hyd. Cylinder	1
11	RTG3811	Hose Kit	1
12	RTG3812	Body Barrel	1
13	RTG3813	Head Barrel	1





Standard Series Tine Grab Parts List

Model	Part No			Description	Qty
	RTG 4.0	RTG 4.6	RTG 5.0		
1	RTG4001	RTG4601	RTG5001	Body	1
2	RTG4002	RTG4602	RTG5002	Head	1
3	RTG4003	RTG4603	RTG5003	Grease Nipple	2
4	RTG4004	RTG4604	RTG5004	Clip	6
5	RTG4005	RTG4605	RTG5005	Pin	2
6	RTG4006	RTG4606	RTG5006	Pin	2
7	RTG4007	RTG4607	RTG5007	Main Pin	2
8	RTG4008	RTG4608	RTG5008	Hydraulic Cylinder	2
9	RTG4009	RTG4609	RTG5009	Straight Tine	9/8/9
10		RTG4610	RTG5010	Straight Tine	0/2/2
11	RTG4011	RTG4611	RTG5011	Curved Tine	1
12	RTG4012	RTG4612	RTG5012	Nut	
13	RTG4013	RTG4613	RTG5013	Head Barrel	1
14	RTG4014	RTG4614	RTG5014	Body Barrel	1
15	RTG4015	RTG4615	RTG5015	Cylinder Hose	4
16	RHK1-2			Hose Kit (M & F)	1

